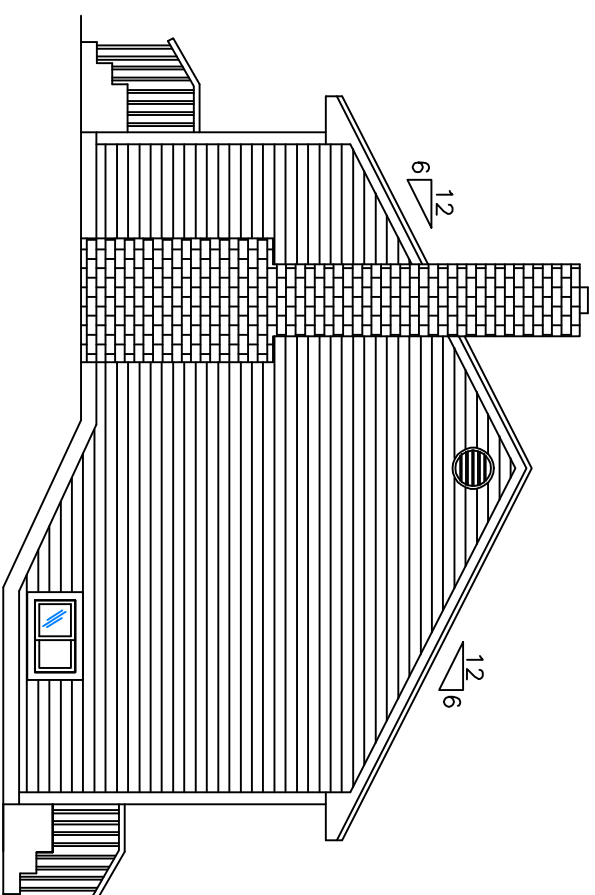
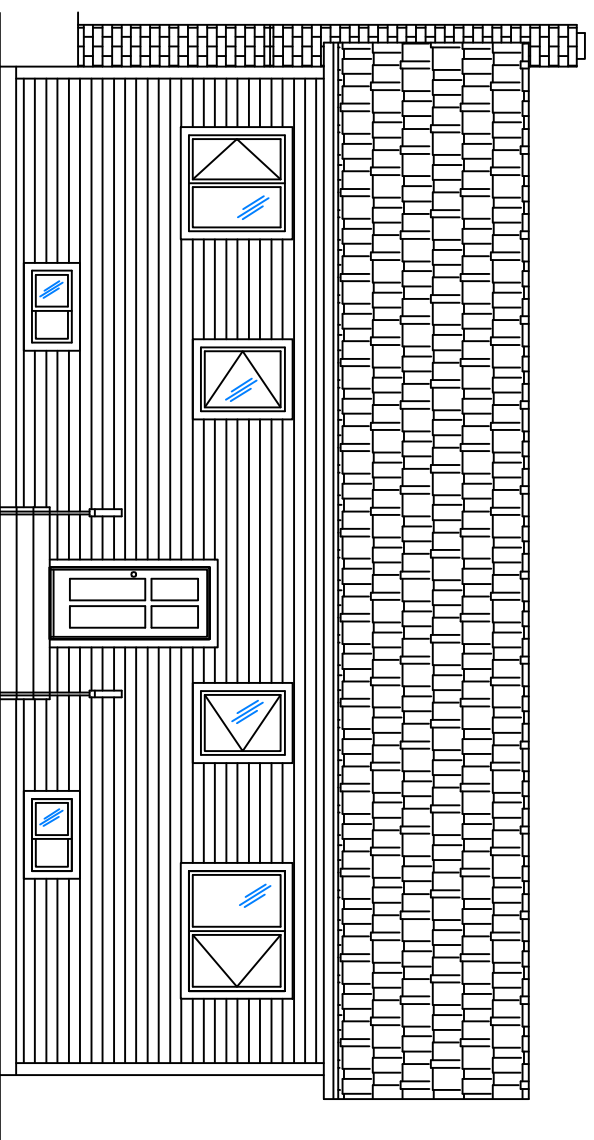


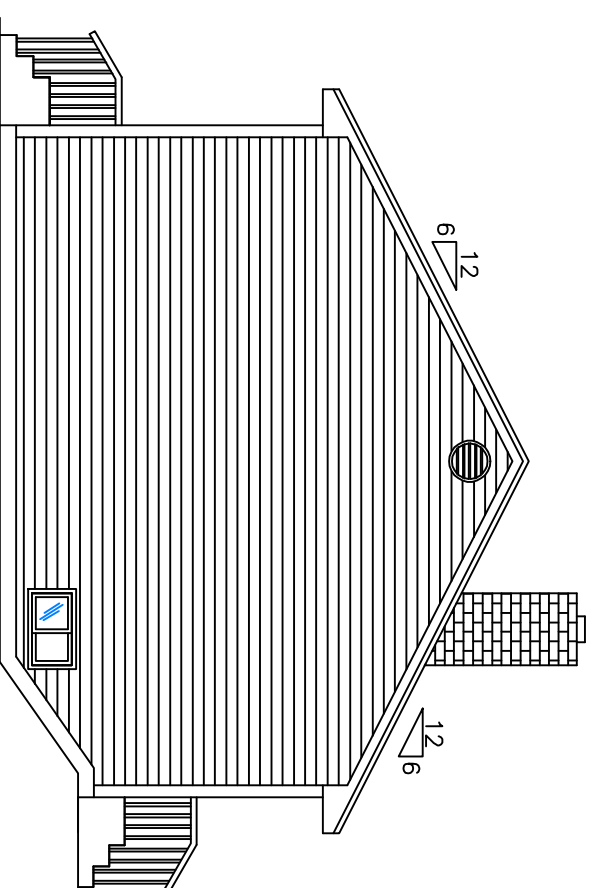
FRONT



RIGHT SIDE



BACK



LEFT SIDE

PROJECT:
HOUSE PLAN

DRAWING:
ELEVATION
VIEW

DESIGN: B.HAAS	PLAN NO.
DRAWN: B.HAAS	E1
SCALE: 1/8" = 1'	REV.
DATE: 08/12/2010	1